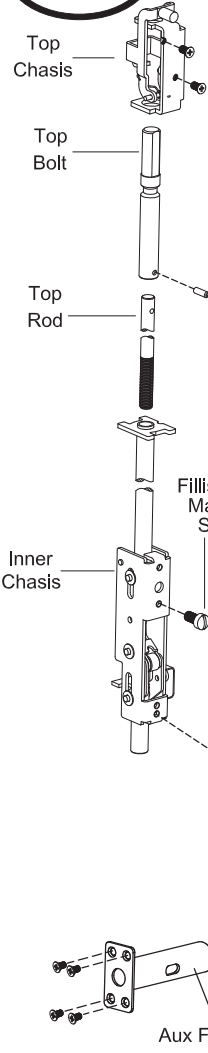
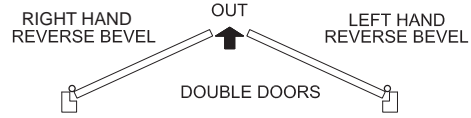


INSTALLATION INSTRUCTIONS FOR LBRGLSCVR9800 SERIES NARROW HEAD LBR CONCEALED VERTICAL ROD PANIC EXIT DEVICE FOR GLASS DOORS

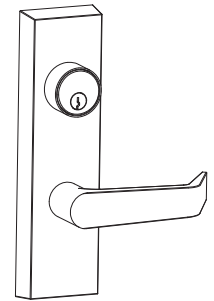
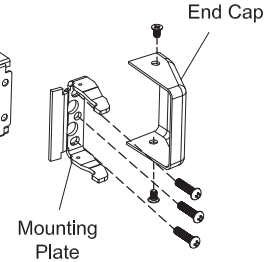
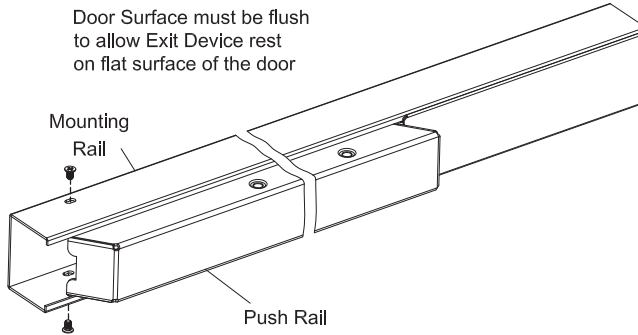


Available stock length
 - For 32" doors, Device can be cut to fit doors down to 24" wide
 - For 36" doors, Device can be cut to fit doors down to 32" wide
 - For 48" doors, Device can be cut to fit doors down to 36" wide

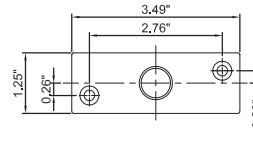
THIS EXIT DEVICE IS HANDED
 CHECK HAND OF DEVICE AGAINST APPLICATION



Door Surface must be flush to allow Exit Device rest on flat surface of the door



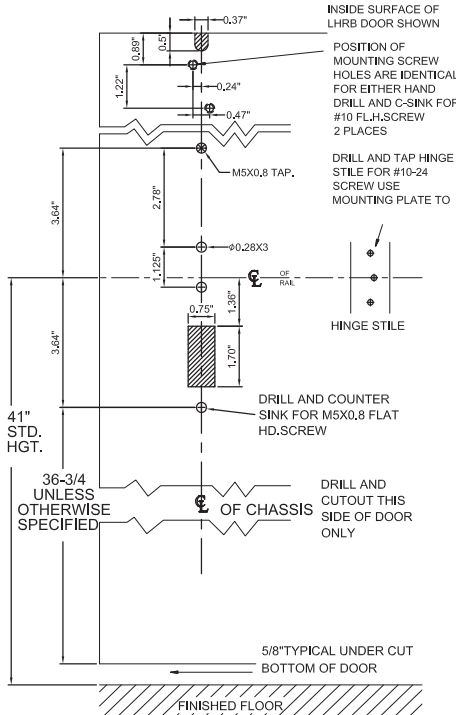
#10-21 FLL HD Machine screws
 or #10x1" FL HD wood screws



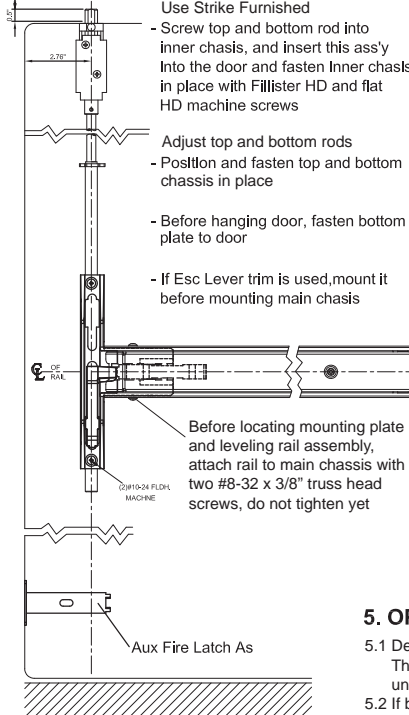
If Esc Lever trim is used, See Instruction sheet packed with the trim

TOP STRIKE

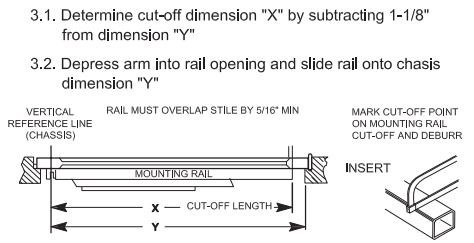
1. PREPARE DOOR



2. MOUNT ROD & CHASSIS

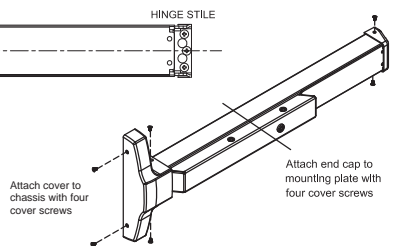


3. MOUNT RAIL ASS'Y



4. ATTACH COVER

Attach cover to chassis with four cover screws



5. OPERATION CHECK

- 5.1 Depress pushrail, bolt should retract into door. The latch retractor button should pop out and hold the bolt retracted until button is depressed
- 5.2 If button does not pop out, remove top chassis and screw the top rod in one turn. Replace top chassis and repeat above operation